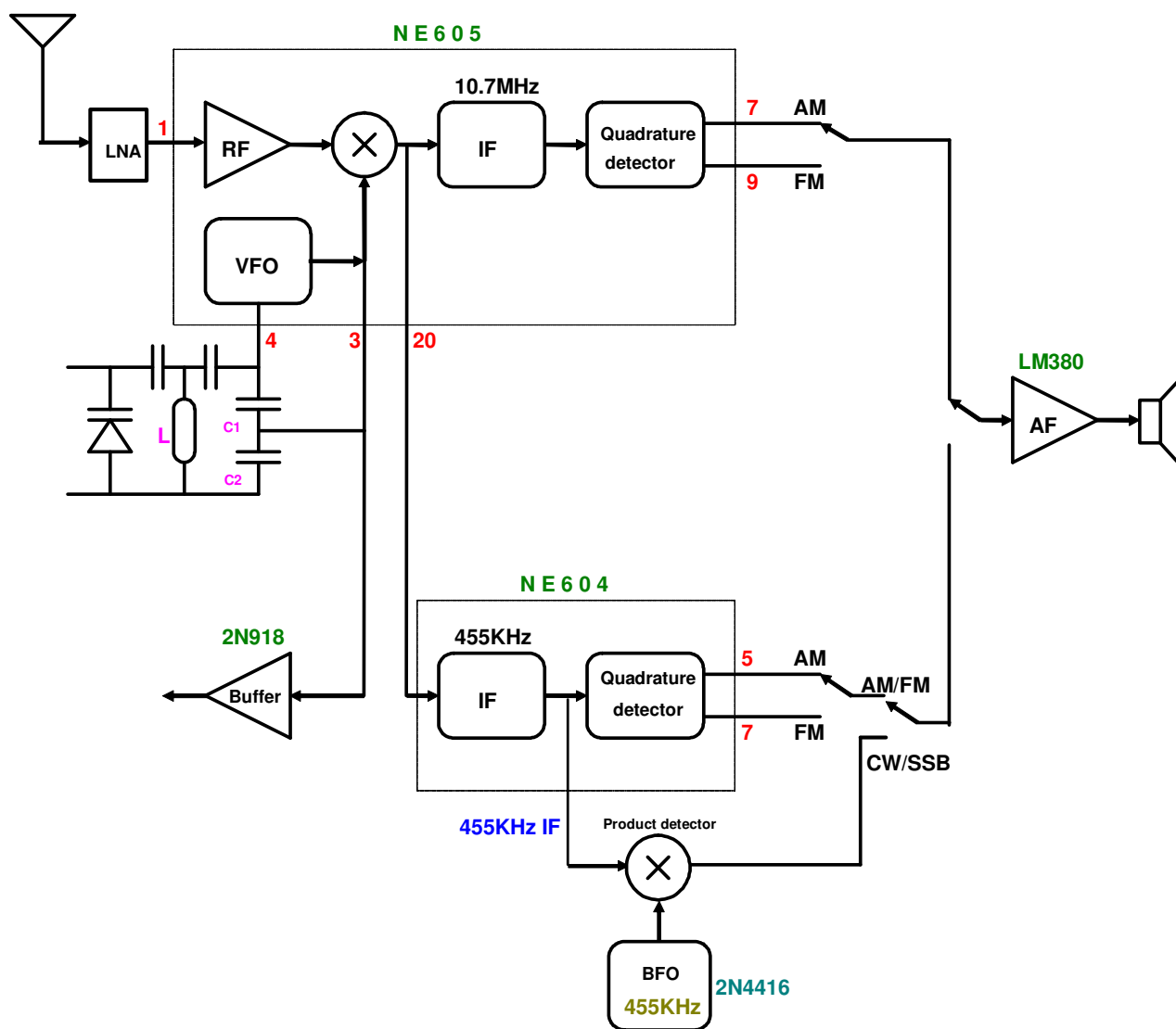


HF / VHF MULTI-MODE RECEIVER

CW / SSB / AM / FM

Prof. Yosef PINHASI



C1	C2	L	VOLTAGE	FREQUENCY 455KHz	FREQUENCY 10.7MHz
10pF	50pF	0.4μH	1-10V	50.1-72.3MHz	39.9-62.0MHz
10pF	50pF	0.47μH	1-10V	46.2-66.6MHz	36.0-56.4MHz
10pF	50pF	1μH	1-10V	31.5-45.5MHz	21.3-35.3MHz
10pF	50pF	1.5μH	1-10V	25.7-37.1MHz	15.4-26.9MHz
10pF	50pF	2.47μH	1-10V	19.9-28.8MHz	9.66-18.6MHz
10pF	50pF	4.7μH	1-10V	14.3-20.8MHz	4.06-10.5MHz

Beat Frequency Oscillator B F O

